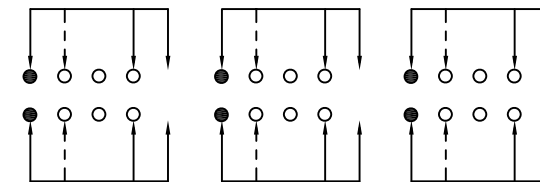
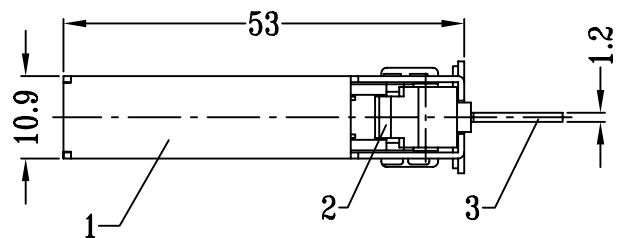
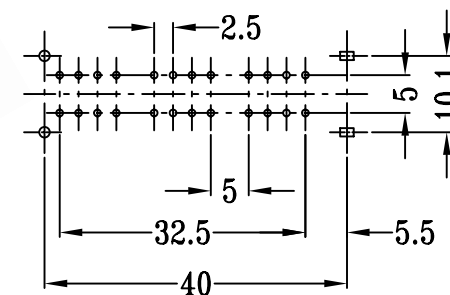
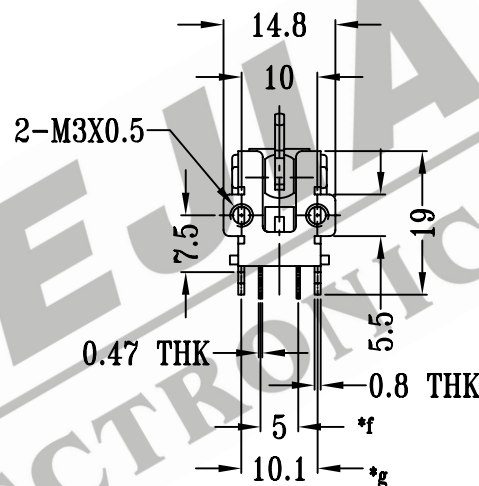
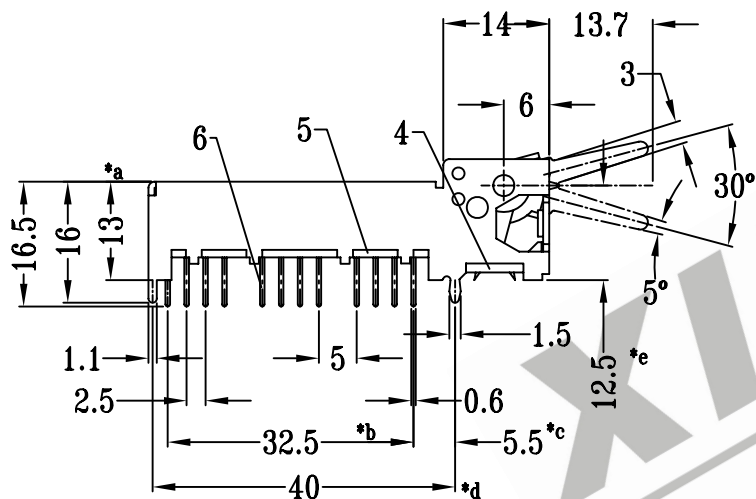


CAD FILE:



SCHEMATIC (NON-SHORTING)



P.C.B LAYOUT

11	GS52N CONTACT(CLIP)	PBS	6	Ag CLAD
10	SLIDER	POM	1	BLACK
9	29# SPRING	STEEL WIRE	1	TEMPER
8	RIVET	COPPER	2	Ni PLATED
7	3/32" STEEL BALL	STEEL	1	NATURAL
6	TERMINAL	BRASS STRIP	24	Ag PLATED OVER Ni PLATED
5	TERMINAL BASE	PHENOLIC RESIN	1	NATURAL
4	POSITION PLATE	POM	1	BLACK
3	STEEL KNOB	STEEL STRIP	1	Ni PLATED
2	KNOB	POM	1	BLACK
1	FRAME	STEEL STRIP	1	Ni PLATED
NO.	PART NAME	MATERIAL	Q'TY	FINISHING

注:带"*"表示关键尺寸(7个)

TOLERANCE UNLESS SPECIFIED		SHENZHEN XIEJIA ELECTRONICS CO.,LTD.			
WITHIN: 1.5±0.1mm OVER : 1.5±0.2mm		ISSUE	DATE	DESCRIPTIONS	APPD.
TITLE : TOGGLE SWITCH		UNIT : MM	DRWG NO.: XJ-DR-LS62J01-00		
MODEL: LS-62J01		SCALE: 1 : 1	DWN.	ZHOUYU	2002-4-22
ALL MATERIALS MUST BE COMPLIANT TO ROHS		APPD.	KANGXINAN		2002-4-22